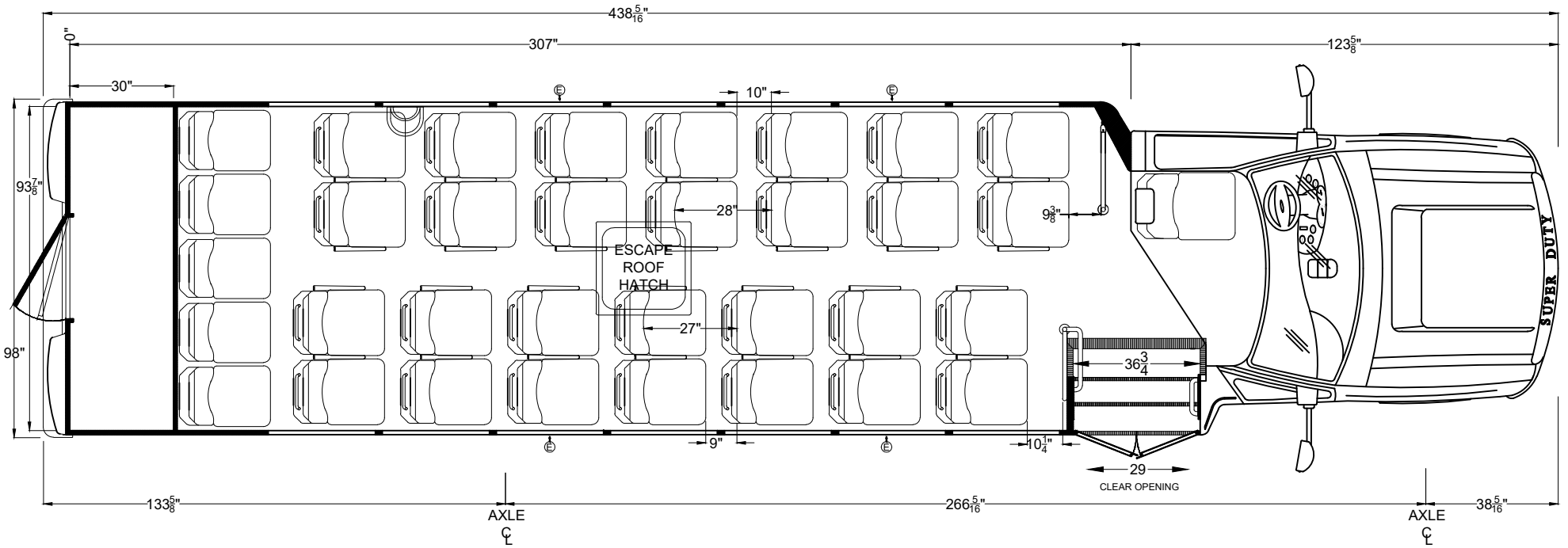


PRELIMINARY

THIS DRAWING IS FOR QUOTE PURPOSES ONLY.

SEE DRAFTSMAN NOTES FOR DETAILS



NOTES

FILE NAME: 201005-D1_F600_ADA FP.dwg

CONTACT TURTLE TOP AT 800-269-2105 FOR AVAILABILITY OF THIS FLOOR LAYOUT IF DRAWING DATE HAS EXCEEDED 90 DAYS.

DATE: 10/05/2020

ENGINEERING INTERVENTION WILL BE NECESSARY TO ENSURE THAT THIS CONFIGURATION IS PRODUCTION READY. EXTENDED LEAD TIMES ALONG WITH VARIANCES FROM THIS DRAWING MAY OCCUR.

3 STEP ENTRY

TERRA TRANSIT

2 STEP ENTRY
 W/ WHEEL WELLS

THIS DRAWING AND THE INFORMATION CONTAINED THEREON ARE THE EXCLUSIVE PROPERTY OF TURTLE TOP AND SHALL NOT BE COPIED OR DUPLICATED IN ANY MANNER WITHOUT OUR WRITTEN CONSENT.

DRAFTSMAN NOTES:

TURTLE TOP BODY MODEL:
TERRA TRANSIT XL

OVER ALL LENGTH:
36' 6" 2021

CHASSIS MAKE:
FORD F600

ORDER NUMBER:
QUOTE

DRAFTSMAN: DDN
REVISION: D

SCALE: DNS
DIMENSIONING TOLERANCE = +/- .3"

FLOOR LENGTH:
307"

CHASSIS FUEL TYPE:
GAS

CHASSIS GVWR:
22000 lbs.

DRAWING NUMBER:
201005-D1



TURTLE TOP
"To furnish the customer the best mid-sized bus in the industry in both quality of material and workmanship."